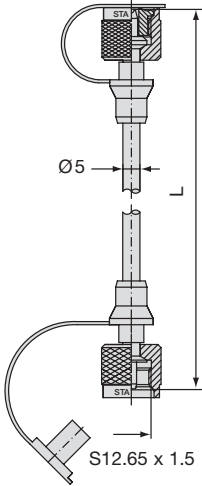
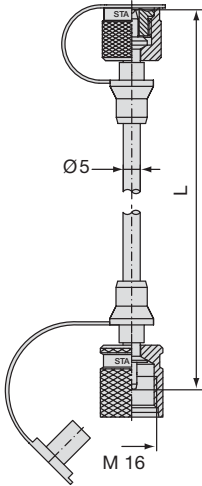
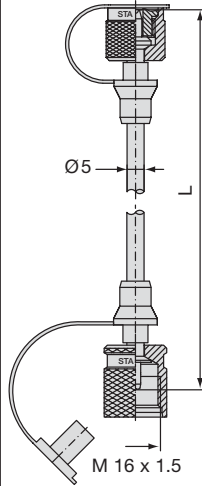
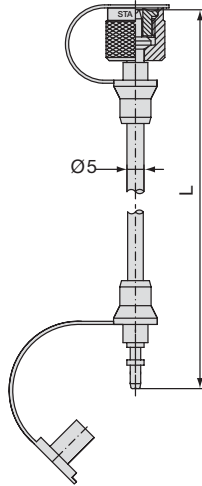
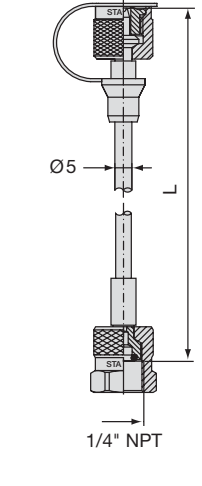




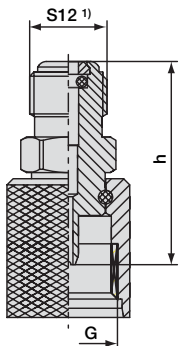
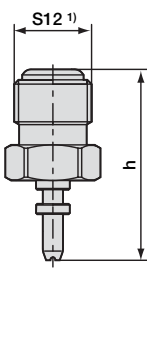
Test 12 Connection Threads 12,65 x 1,5

Test Hose SMS (for gaseous media Specify Type SGS)

<p>Max. working pressure 9000 PSI (630 bar)</p> <p>Test hose: Nominal bore 0.08" (2 mm)</p> <p>Minimum bending radius 0.75" (20 mm)</p> <p>Nominal bore 0.16" (4 mm) also available</p> <p>Pressure/t° factor: to 0°C 122 % at 30°C 110 % at 50°C 100 % at 80°C 86 % at 100°C 77 %</p> <p>Hose construction: Hose-core and -cover PA 11/12</p> <p>Reinforcement: Synthetic fibre</p> <p>Bursting pressure: 27,000 PSI (1900 bar)</p>	<p>Stauff-Test 12/12⁽²⁾</p> <p>STAUFF-TEST 12</p>  <p>STAUFF-TEST 12</p>	<p>Stauff-Test 12/20</p> <p>STAUFF-TEST 12</p>  <p>STAUFF-TEST 20</p>	<p>Stauff-Test 12/15</p> <p>STAUFF-TEST 12</p>  <p>STAUFF-TEST 15</p>	<p>Stauff-Test 10/12⁽²⁾</p> <p>STAUFF-TEST 12</p>  <p>STAUFF-TEST 10</p>	<p>Stauff-Test 12/N^{1/4}⁽³⁾</p> <p>STAUFF-TEST 12</p>  <p>1/4" NPT</p> <p>GAUGE ADAPTOR</p>		
	<p>Length L⁽¹⁾</p>		<p>Order No.</p>				
	<p>in</p>	<p>mm</p>					
	<p>12</p>	<p>305</p>	<p>SMS-12-305mm-B</p>	<p>SMS-12/20-305mm-B</p>	<p>SMS-12/15-1305-B</p>	<p>SMS-10/12-305mm-B</p>	<p>SMS-12/N^{1/4}-305mm-B</p>
	<p>24</p>	<p>610</p>	<p>SMS-12-610mm-B</p>	<p>SMS-12/20-610mm-B</p>	<p>SMS-12/15-610-B</p>	<p>SMS-10/12-610mm-B</p>	<p>SMS-12/N^{1/4}-610mm-B</p>
<p>36</p>	<p>915</p>	<p>SMS-12-915mm-B</p>	<p>SMS-12/20-915mm-B</p>	<p>SMS-12/15-915-B</p>	<p>SMS-10/12-915mm-B</p>	<p>SMS-12/N^{1/4}-915mm-B</p>	
<p>48</p>	<p>1219</p>	<p>SMS-12-1219mm-B</p>	<p>SMS-12/20-1219mm-B</p>	<p>SMS-12/15-1219-B</p>	<p>SMS-10/12-1219mm-B</p>	<p>SMS-12/N^{1/4}-1219mm-B</p>	
<p>60</p>	<p>1524</p>	<p>SMS-12-1524mm-B</p>	<p>SMS-12/20-1524mm-B</p>	<p>SMS-12/15-1524-B</p>	<p>SMS-10/12-1524mm-B</p>	<p>SMS-12/N^{1/4}-1524mm-B</p>	
<p>72</p>	<p>1829</p>	<p>SMS-12-1829mm-B</p>	<p>SMS-12/20-1829mm-B</p>	<p>SMS-12/15-1829-B</p>	<p>SMS-10/12-1829mm-B</p>	<p>SMS-12/N^{1/4}-1829mm-B</p>	
<p>96</p>	<p>2438</p>	<p>SMS-12-2438mm-B</p>	<p>SMS-12/20-2438mm-B</p>	<p>SMS-12/15-2438-B</p>	<p>SMS-10/12-2438mm-B</p>	<p>SMS-12/N^{1/4}-2438mm-B</p>	
<p>120</p>	<p>3048</p>	<p>SMS-12-3048mm-B</p>	<p>SMS-12/20-3048mm-B</p>	<p>SMS-12/15-3048-B</p>	<p>SMS-10/12-3048mm-B</p>	<p>SMS-12/N^{1/4}-3048mm-B</p>	
<p>Custom lengths available upon request</p>							
<p>⁽¹⁾ Bending protection and other lengths on request</p>		<p>⁽²⁾ Special thread: buttress thread S12,65 x 1,5</p>			<p>⁽³⁾ Gauge adaptor G^{1/4}, G^{1/2} and 1/2 NPT on request</p>		

TEST

Adaptor SAD

 <p>Type A</p>	 <p>Type B</p>	<p>G</p>	<p>h</p>		<p>Type</p>	<p>Order No.</p>	
			<p>mm</p>	<p>in</p>		<p>NBR (BUNA)</p>	<p>FPM (VITON) (Standard)</p>
		<p>M 16 x 1,5</p>	<p>33</p>	<p>1.30</p>	<p>A</p>	<p>SAD 12/15-P</p>	<p>SAD 12/15-V</p>
		<p>plug in</p>	<p>31</p>	<p>1.22</p>	<p>B</p>	<p>SAD 12/10-P</p>	<p>SAD 12/10-V</p>
<p>M 16 x 2</p>	<p>33</p>	<p>1.30</p>	<p>A</p>	<p>SAD 12/20-P</p>	<p>SAD 12/20-V</p>		
<p>¹⁾ Special thread: buttress thread S12,65 x 1,5</p>							